

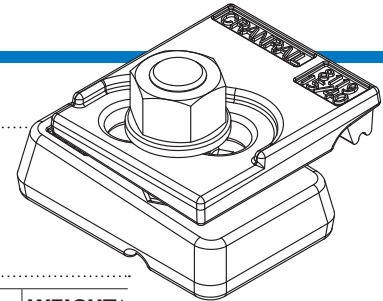
8119/15

Gantrail Welded Base Fixing

www.gantrail.com



GANTRAIL®
A world of crane rail expertise



8119/15

The GANTRAIL 8119/15 adjustable crane rail clip is designed to fix heavy rails in the most arduous applications. It can withstand a horizontal force from the rail of 120kN (12.2 tonnes). Its low profile allows it to be used with cranes that are fitted with guide rollers.

SPECIFICATIONS:

MAX SIDE LOAD 120kN
15mm HORIZONTAL RAIL ADJUSTMENT

DIMENSIONS (mm):

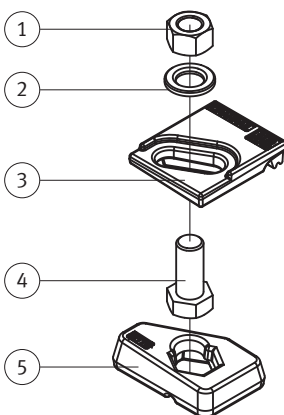
| REF NO. | X | Y (FULL NUT) | Y (FLANGE NUT) | Z | WEIGHT* kg |
|------------|----|-----------------|-------------------|----|---------------|
| 8119/15/40 | 40 | 60 | 55 | 36 | 1.36 |

* weight without nut, bolt and washer.

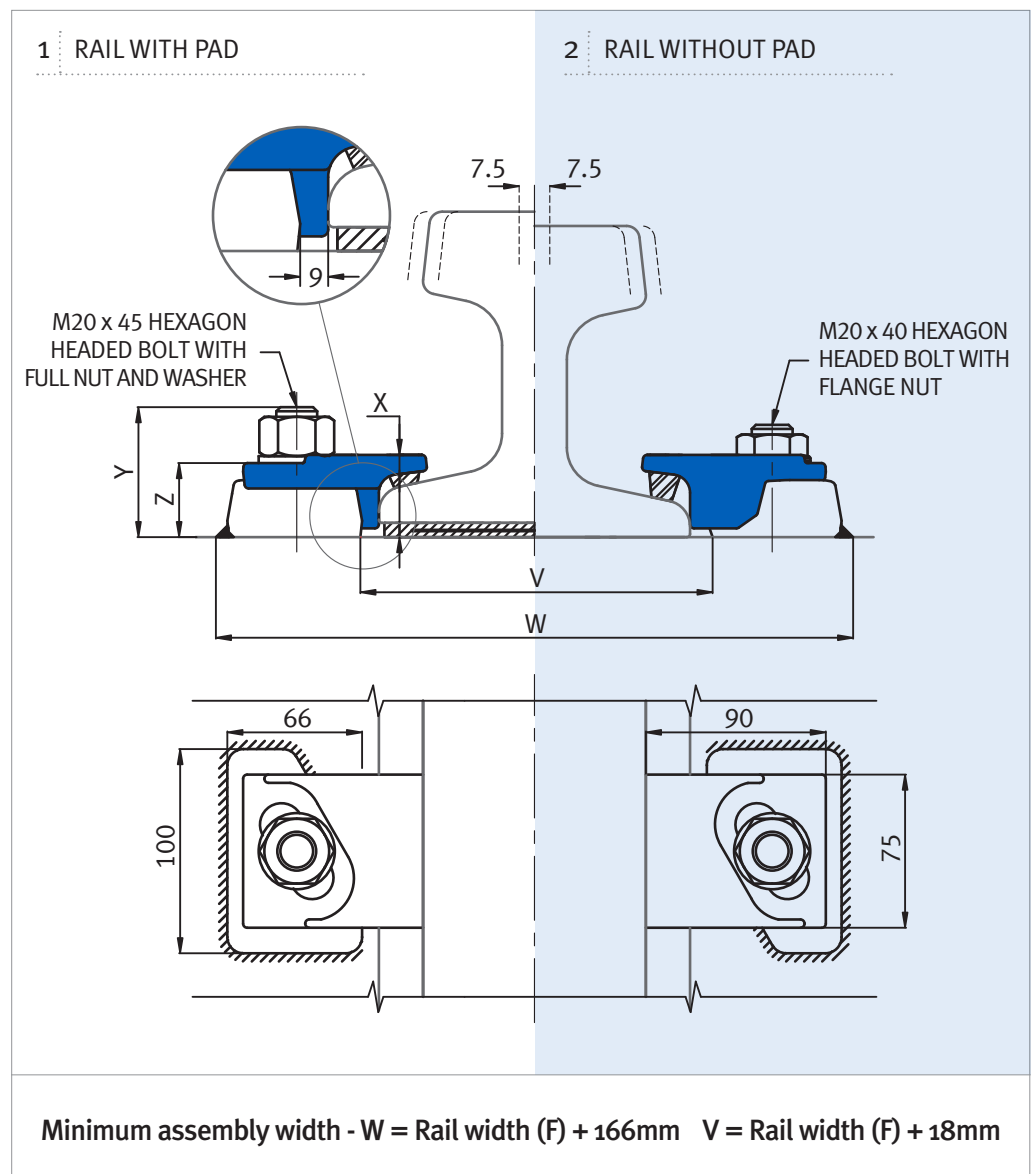
FEATURES

- The proven design has been used successfully for many years throughout the world.
- The clip is welded to the rail support. No access is required from below.
- The two main parts are locked together on tightening the grade 8.8 hexagon headed bolt.
- The clip has a self-tightening mechanism.
- A special vulcanised rubber block applies a controlled force to the rail.

COMPONENTS

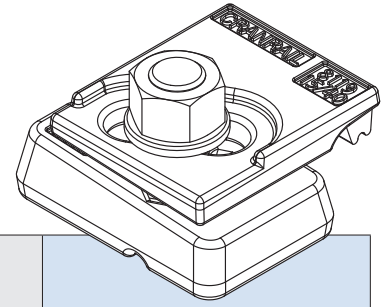


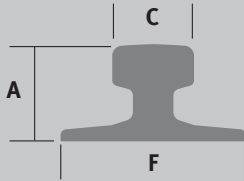
1. Nut
2. Hardened washer
3. Clip cap with integral rubber block
4. M20 hexagon headed bolt
5. Weldable base



8119/15

Gantrail Welded Base Fixing



|  | F mm | C mm | A mm | 1. CLIP REFERENCE FOR RAIL WITH PAD | 2. CLIP REFERENCE FOR RAIL WITHOUT PAD |
|---|---------|---------|---------|--|---|
| A 100 | 200 | 100 | 95 | 8119/15/40 | 8119/15/40 |
| A 120 | 220 | 120 | 105 | 8119/15/40 | 8119/15/40 |
| S 54 | 125 | 67 | 154 | 8119/15/40 | 8119/15/40 |
| MRS 51 (104 CR) | 127 | 64 | 127 | 8119/15/40 | 8119/15/40 |
| MRS 67 (135 CR) | 132 | 79 | 146 | 8119/15/40 | 8119/15/40 |
| MRS 85 (171 CR) | 152 | 103 | 152 | 8119/15/40 | 8119/15/40 |
| MRS 87 A (PRI85R) | 152 | 102 | 152 | 8119/15/40 | 8119/15/40 |
| MRS 87 B (175 CR) | 152 | 102 | 152 | 8119/15/40 | 8119/15/40 |
| ISCR 80 | 130 | 82 | 130 | 8119/15/40 | 8119/15/40 |
| ISCR 100 | 150 | 102 | 150 | 8119/15/40 | 8119/15/40 |
| ISCR 120 | 170 | 120 | 170 | 8119/15/40 | 8119/15/40 |
| QU 80 | 130 | 80 | 130 | 8119/15/40 | 8119/15/40 |
| QU 100 | 150 | 100 | 150 | 8119/15/40 | 8119/15/40 |
| QU 120 | 170 | 120 | 170 | 8119/15/40 | 8119/15/40 |
| ISCOR 57 | 140 | 70 | 165 | 8119/15/40 | 8119/15/40 |
| CR 73 | 140 | 100 | 135 | 8119/15/40 | 8119/15/40 |
| 68 kg AS | 152 | 73 | 186 | 8119/15/40 | 8119/15/40 |
| 86 kg AS | 165 | 102 | 102 | 8119/15/40 | 8119/15/40 |

THIS CLIP CAN BE USED FOR A WIDER SELECTION OF RAILS THAN ILLUSTRATED.

Please contact GANTRAIL for the full range of possible rails. All rails can be fastened with bolted or welded base clips. GANTRAIL may change or improve their products and also alter specifications without notice.

INSTALLATION INSTRUCTIONS:

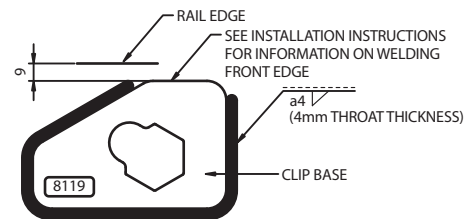
Weld all round the clip base, except the side closest and parallel to the rail, with a 4mm throat thickness fillet weld, using low hydrogen electrodes. Recommended electrodes AWS E7018 or E7028. Clip base is made from weldable grade steel.

If a continuous weld around the base is required, this is possible. Please consult GANTRAIL for guidance.

TIGHTENING TORQUE 250Nm

Please contact GANTRAIL, for full installation instructions.

WELD DETAIL



A world of crane rail expertise.

www.gantrail.com



Gantry Railing Ltd
Sudmeadow Road
Hempsted
Gloucester GL2 5HG
ENGLAND

Tel: +44 (0) 1452 300688
Fax: +44 (0) 1452 300198
E-mail: info@gantrail.com

Gantrail (Middle East) Ltd
P O Box 61428
Jebel Ali Free Zone
Dubai
United Arab Emirates

Tel: +971 4 8812 935
Fax: +971 4 8812 936
E-mail: gme@gantrail.com



Certificate No. 5180

8119/15/ET/09/14