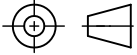


THIRD ANGLE PROJECTION

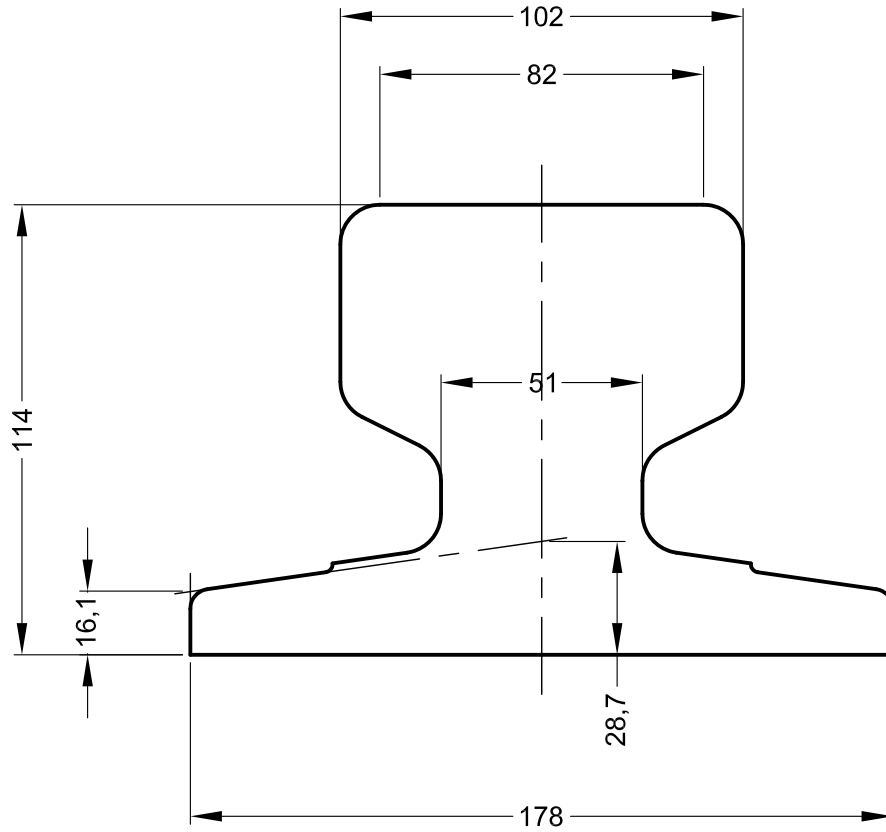


FOR GUIDANCE ONLY
THIS INFORMATION HAS BEEN
PROVIDED IN GOOD FAITH BUT
SPECIFICATIONS DO CHANGE

Edition B

Date 06/07/10

Scale 1:2 @ A4



NOTE: THE PROPERTIES SPECIFIED BELOW HAVE BEEN CALCULATED USING AUTOCAD SOFTWARE AND ARE ACCURATE AT THE TIME OF THIS DRAWING ISSUE. THESE FIGURES MAY DIFFER SLIGHTLY FROM THOSE PUBLISHED IN THE STANDARD FOR THE RAIL.

GANTRAIL[®]

Rail Mounting Systems

THE TECHNICAL DATA CONTAINED IN THIS DRAWING IS THE PROPERTY OF GANTRY RAILING LIMITED AND IS SUBJECT TO COPYRIGHT ©

Gantry Railing Limited

SUDMEADOW ROAD, HEMPSTED
GLOUCESTER GL2 5HG, ENGLAND
Tel: (01452)300688 Fax (01452)300198
International Dialling # 44.1452
<http://www.gantrail.com>
E-Mail: info@gantrail.com

Rail Designation	BS 89 CR
Rail Origin	UK
Standard	CES 2 1987
Area of section	11440 mm ²
Calculated Mass	89.8 kg/m
Neutral Axis to base	53 mm
Moment of Inertia	I _{xx} 1502 cm ⁴ I _{yy} 1434 cm ⁴