

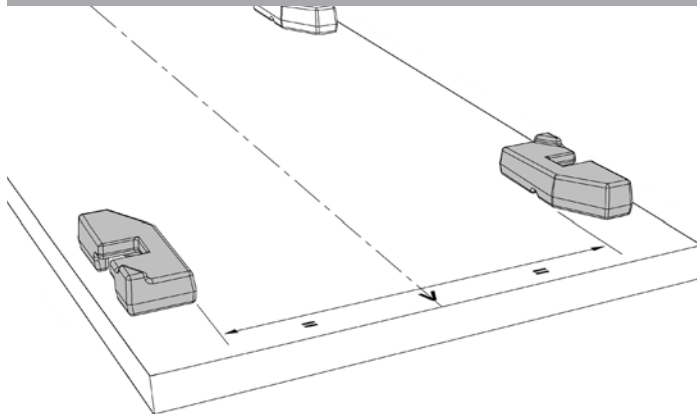
1 Series Clips

Fitting Instructions



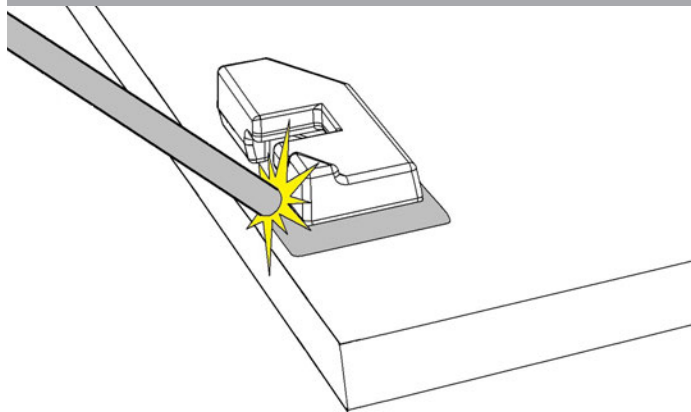
These instructions to be read in conjunction with product datasheet, available from www.gantrail.com.

FIGURE 1



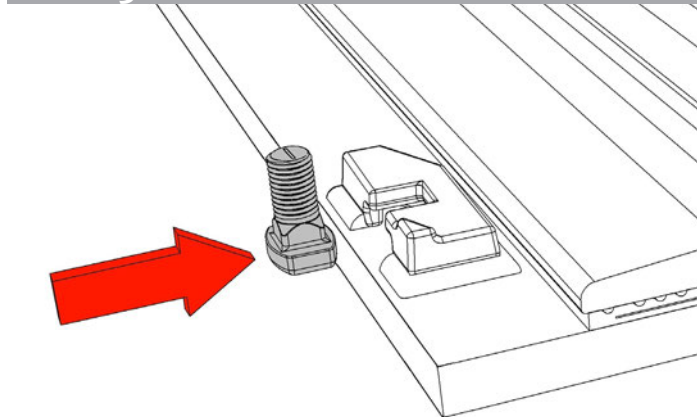
Mark out and position clip base across rail centreline according to 'V' dimension on product datasheet. Position of clip base along rail, to suit project requirements or consult GANTRAIL.

FIGURE 2



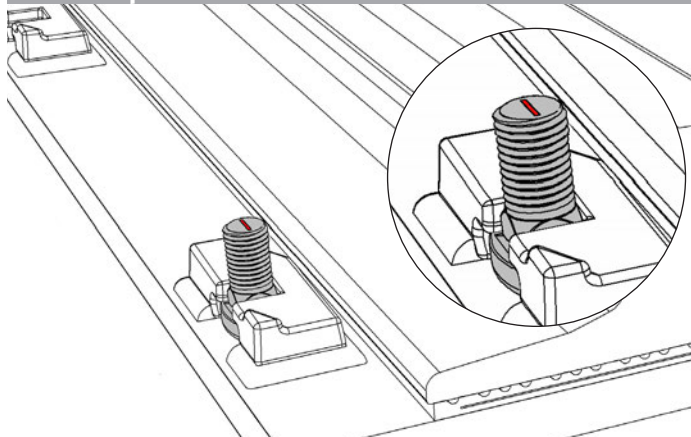
Using suitable electrode, weld clip base(s) to rail support according to 'WELD DETAIL' on product datasheet.

FIGURE 3



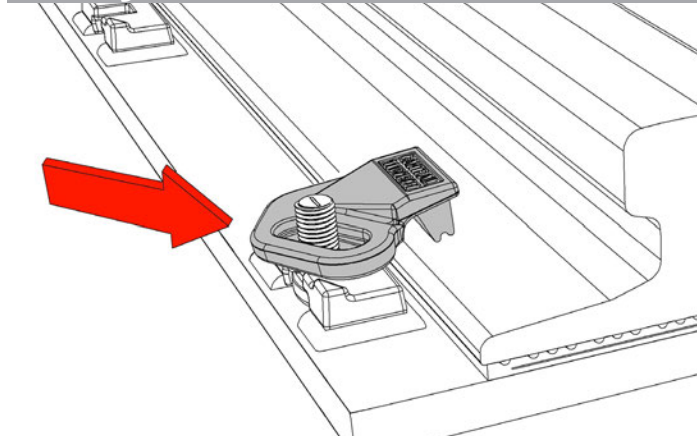
With rail and pad in position, insert special captive bolt into clip base until snug.

FIGURE 4



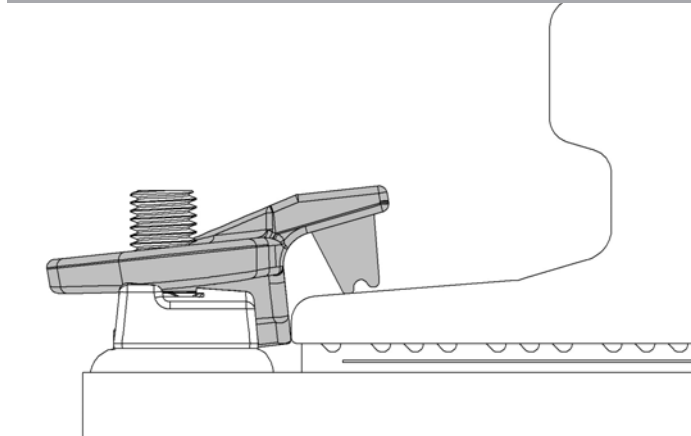
Indicator line in top of bolt will be parallel with rail.

FIGURE 5



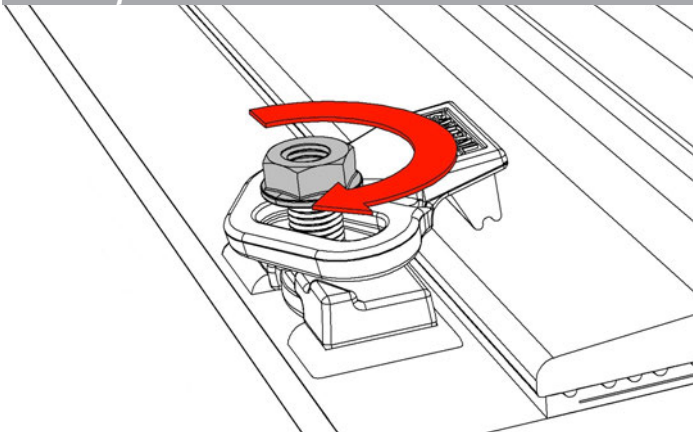
Place clip top over captive bolt(s) with rubber 'nose' resting on upper surface of bottom flange of rail.

FIGURE 6



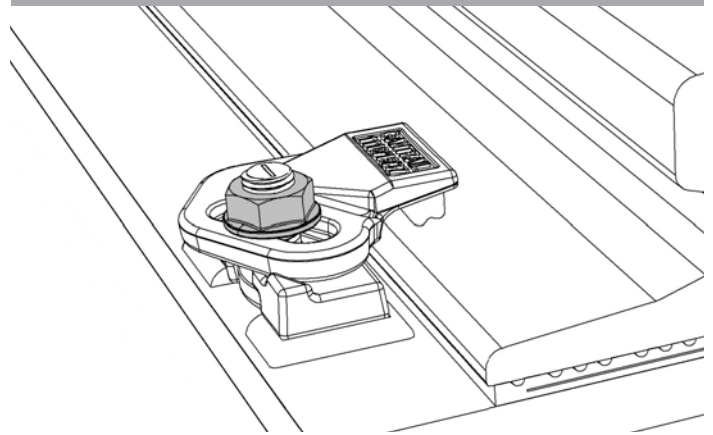
Move clip top into metal-to-metal contact with bottom edge of rail.

FIGURE 7



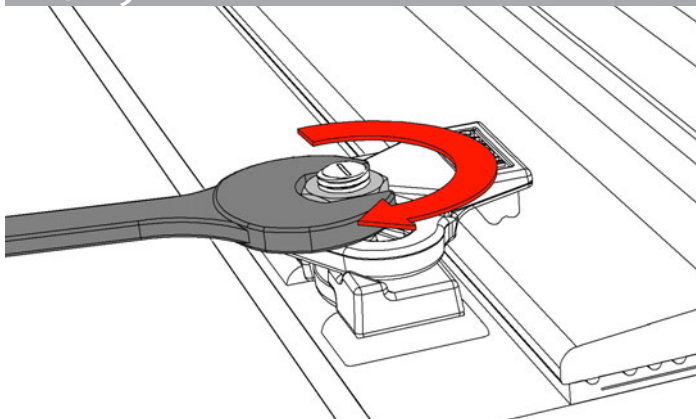
Run nut(s) down bolt(s).

FIGURE 8



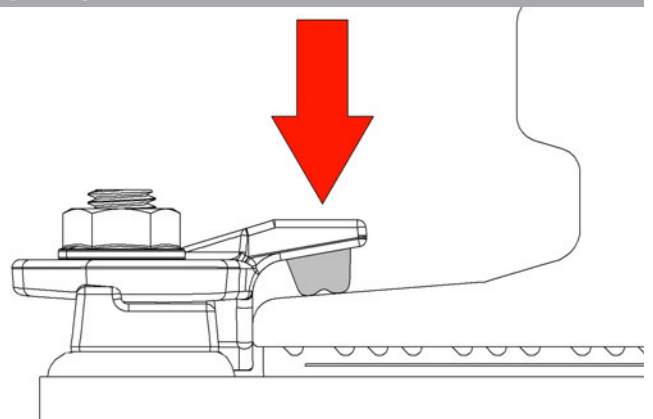
Nut(s) to make contact with clip top.

FIGURE 9



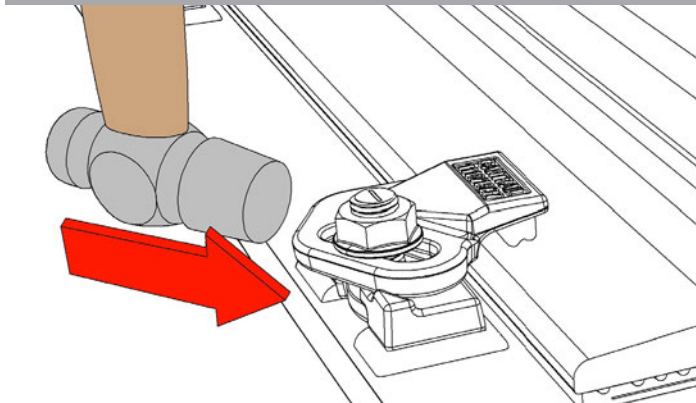
Tighten nut(s) with spanner.

FIGURE 10



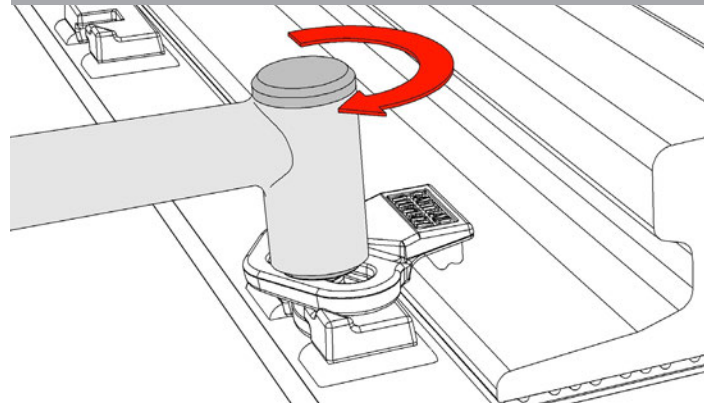
Tighten only until rubber 'nose' is compressed and bottom surface of clip top is in full metal-to-metal contact with clip base. Do not apply full torque yet.

FIGURE 11



With hammer of about 1 kilo, tap clip top towards rail along direction of slot(s) in clip top.

FIGURE 12



Tighten nut(s) to required torque given on clip datasheet.

A world of crane rail expertise.

www.gantrail.com



Gantry Railing Ltd
 Sudmeadow Road
 Hempsted
 Gloucester GL2 5HG
 ENGLAND

Tel: +44 (0) 1452 300688
 Fax: +44 (0) 1452 300198
 E-mail: info@gantrail.com

Gantrail (Middle East) Ltd
 P O Box 61428
 Jebel Ali Free Zone
 Dubai
 United Arab Emirates

Tel: +971 4 8812 935
 Fax: +971 4 8812 936
 E-mail: gme@gantrail.com



Certificate No. 5180