

3120/15

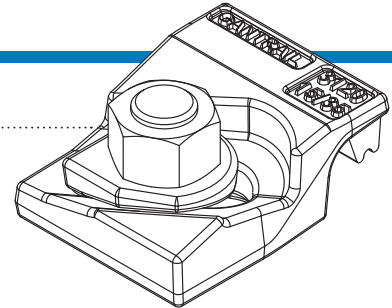
Gantrail Bolted Fixing

www.gantrail.com



Gantrail®

A world of crane rail expertise



3120/15

The **GANTRAIL 3120/15** adjustable crane rail clip is designed to fix heavy rails in the most arduous applications. It can withstand a horizontal force from the rail of 75kN (7.6 tonnes). Its low profile allows it to be used with cranes that are fitted with guide rollers.

SPECIFICATIONS:

BOLT GRADE	8.8	10.9
MAX SIDE LOAD (kN)	75	100
BOLT TORQUE (Nm)	390	600

15mm HORIZONTAL RAIL ADJUSTMENT

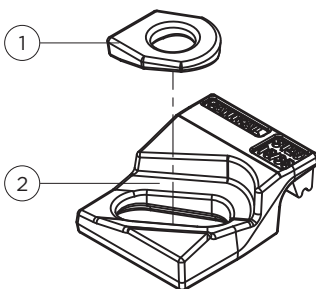
DIMENSIONS (mm):

REF No.	X	Y (FULL NUT)	Y (THIN NUT)	Z	WEIGHT kg
3120/15/35	35	45	40	23	0.70
3120/15/40	40	50	45	30	0.83

FEATURES

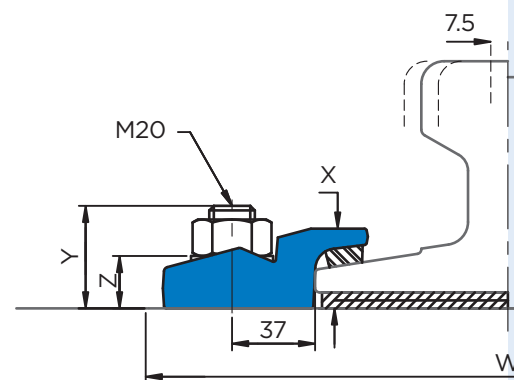
- The proven design has been used successfully for many years throughout the world.
- The clip is bolted to the rail support.
- The two main parts are locked together on tightening the nut.
- A special vulcanised rubber block applies a controlled force to the rail.

COMPONENTS

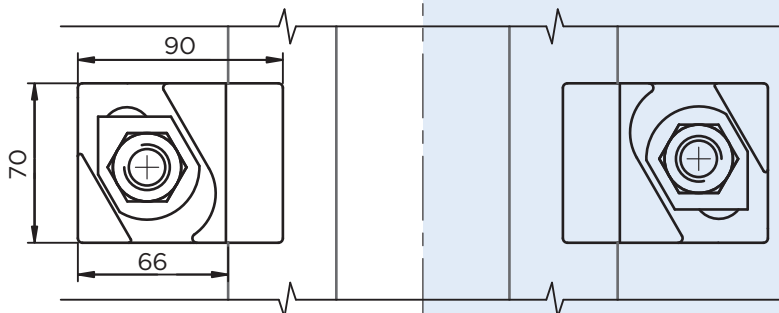
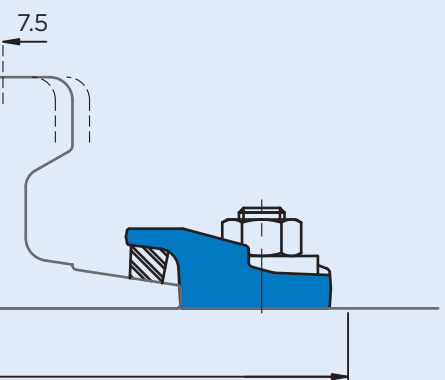


1. Special washer
2. Clip with integral rubber block

1 RAIL WITH PAD



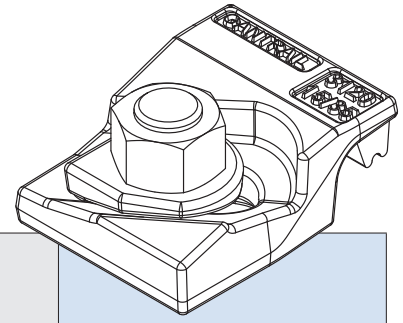
2 RAIL WITHOUT PAD

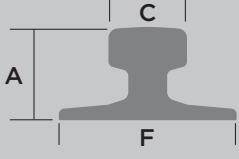


Minimum assembly width - $W = \text{Rail width (F)} + 147\text{mm}$

3120/15

Gantrail Bolted Fixing



	F mm	C mm	A mm	1. CLIP REFERENCE FOR RAIL WITH PAD	2. CLIP REFERENCE FOR RAIL WITHOUT PAD
A 65	175	65	75	3120/15/35	3120/15/35
A 75	200	75	85	3120/15/35	3120/15/35
A 100	200	100	95	3120/15/35	3120/15/35
S 33	105	58	134	3120/15/35	3120/15/35
S 41	125	67	138	3120/15/35	3120/15/35
S 49	125	67	149	3120/15/35	3120/15/35
S 54	125	67	154	3120/15/35	3120/15/35
56 E 1	140	70	159	3120/15/35	3120/15/35
MRS 87 A (PRI85R)	152	102	152	3120/15/40	3120/15/35
AFNOR 46	134	62	145	3120/15/35	3120/15/35
ISCR 60	105	60	105	3120/15/35	3120/15/35
ISCR 80	130	82	130	3120/15/35	3120/15/35
QU 70	120	70	120	3120/15/35	3120/15/35
QU 80	130	80	130	3120/15/35	3120/15/35
JIS 37	122	63	122	3120/15/35	3120/15/35
41 kg AS	127	65	136.5	3120/15/35	3120/15/35
50 kg AS	127	70	154	3120/15/35	3120/15/35
53 kg AS	146	70	157	3120/15/35	3120/15/35
UIC 54	140	70	159	3120/15/35	3120/15/35
UIC 60	150	72	172	3120/15/35	3120/15/35

This clip can be used for a wider selection of rails than illustrated.

Please contact GANTRAIL for the full range of possible rails. All rails can be fastened with bolted or welded base clips. GANTRAIL may change or improve their products and also alter specifications without notice.

INSTALLATION INSTRUCTIONS:

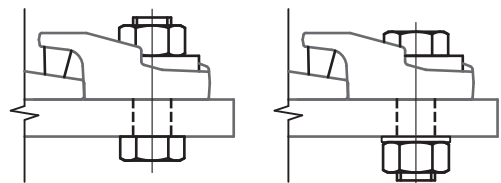
The hexagon headed fixing bolt can be inserted from above or below the supporting structure – see adjacent configurations.

If it is desired to fix the clip with a welded stud, this may be possible. Please consult GANTRAIL for guidance.

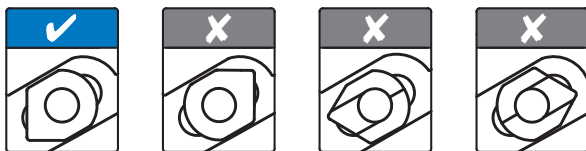
TIGHTENING TORQUE
Grade 8.8 bolt 390Nm
Grade 10.9 bolt 600Nm

Please contact GANTRAIL, for full installation instructions.

BOLT CONFIGURATIONS



POSITIONING OF SPECIAL WASHER



A world of crane rail expertise.

www.gantrail.com



Gantry Railing Ltd
Sudmeadow Road
Hempsted
Gloucester GL2 5HG
ENGLAND

Tel: +44 (0) 1452 300688
E-mail: info@gantrail.com



3120/15/DO/04/21